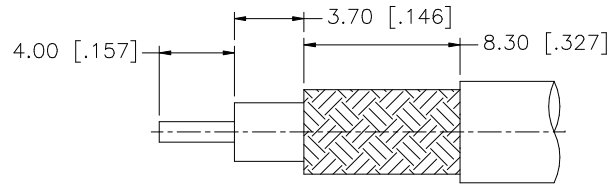
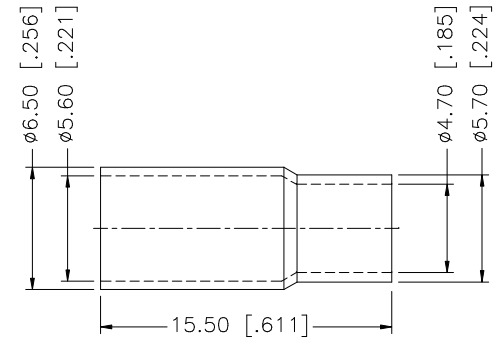
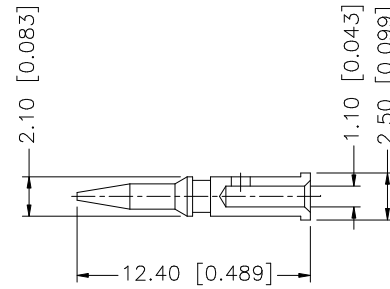
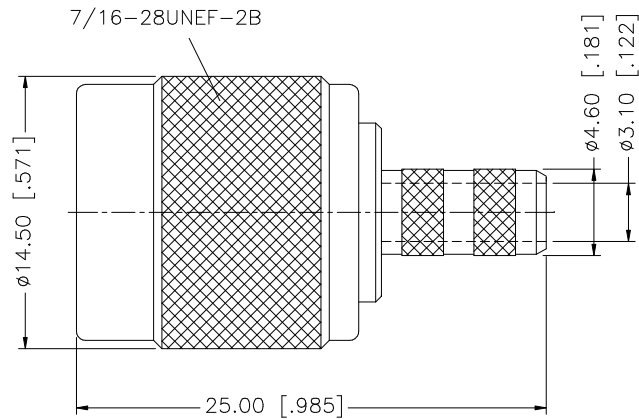


REV.	DATE	DESCRIPTION
A	11/29/03	UPDATE DRAWING FROMAT



RECOMMENDED
CABLE STRIPPING DIM'S



8				
7				
6				
5				
4	FERRULE	COPPER	NICKEL	1
3	CONTACT PIN	BRASS	GOLD	1
2	INSULATOR	DELTRIN	NATURAL	1
1	BODY	BRASS	NICKEL	1
	DESCRIPTION	MATERIAL	FINISH	QTY

UNLESS OTHERWISE SPECIFIED DIMENSIONS ARE IN MILLIMETERS. DIMENSIONS IN [] ARE IN INCHES AND FOR CUSTOMER REFERENCE ONLY.

UNLESS OTHERWISE SPECIFIED TOLERANCES FOR MILLIMETERS ARE:
0.5 - 8mm ± 0.20mm
8 - 30mm ± 0.40mm
30 - 120mm ± 0.50mm

UNLESS OTHERWISE SPECIFIED TOLERANCES FOR INCHES ARE:
.020 - .315 = ± 0.007"
.315 - 1.180 = ± 0.015"
1.180 - 4.724 = ± 0.020"

DO NOT SCALE DRAWING

APPROVALS	DATE
DRAWN G.R.S.	11/29/03
CHECKED	
ISSUED	
SHEET 1 OF 1	
CAD FILE C:/122/122112.DWG	

Amphenol Connex

PART DESCRIPTION
**TNC STRAIGHT CRIMP PLUG
(FOR B89907, 58 PLENUM CABLE)**

PART NO. **122112**

DWG. NO.	REV.	SIZE	SCALE
122112.DWG	A	A	NA